



## Ride on the safe side

With proven standard and customized solutions, IMO provides better performance, functionality and safety for public transportation.



## Public Transportation

### IMO Slewing Rings

- customized designs
- outstanding reliability
- enhanced service life
- reduced total cost of ownership

Available in various standard sizes. Customized solutions for perfect fit.

- light railways
- trams
- cablecars
- underground railways
- trains
- trolley buses
- automated people mover
- airport ground support equipment



# Your Advantages

## for purchasing

- designed to meet budget
- low complexity
- low service cost
- low material wear

## for engineering

- in-depth technical know-how
- high load capacity
- customer specific adaptations
- proven products

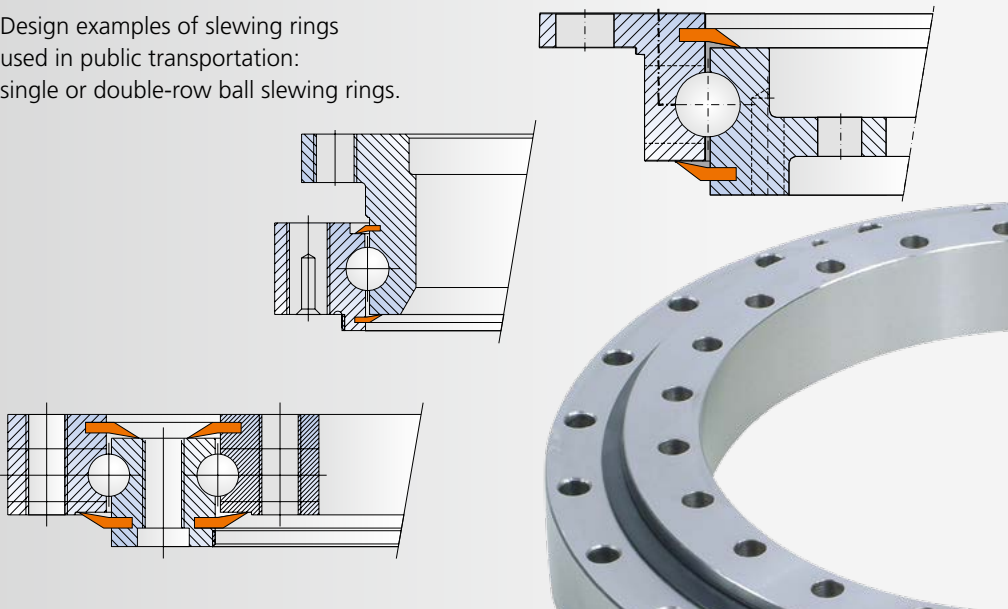
## for service

- long service life
- low maintenance
- worldwide service & spares

## for end customers

- high reliability
- reduced total cost of ownership
- maximum safety
- worldwide service available

Design examples of slewing rings used in public transportation:  
single or double-row ball slewing rings.



# IMO

made in Gremsdorf,  
Germany

More than 25 years on your side.



## A few reference customers:

BVG: Berliner Verkehrsbetriebe GmbH, Berlin  
 GVB: Gemeentelijk Vervoerbedrijf, Amsterdam  
 GTT: Gruppo Torinese Trasporti, Turin  
 ATG: Autotechnik GmbH, Siek

## Headquarters

IMO GmbH & Co. KG  
 Imostr. 1  
 91350 Gremsdorf  
 Germany

Tel. +49 9193 6395 - 4830  
 Fax +49 9193 6395 - 4145  
 transportation@imo.de

## Your contact in the US

IMO USA Corp.  
 Tel. +1 843 779-5377  
 americas@imo.us

